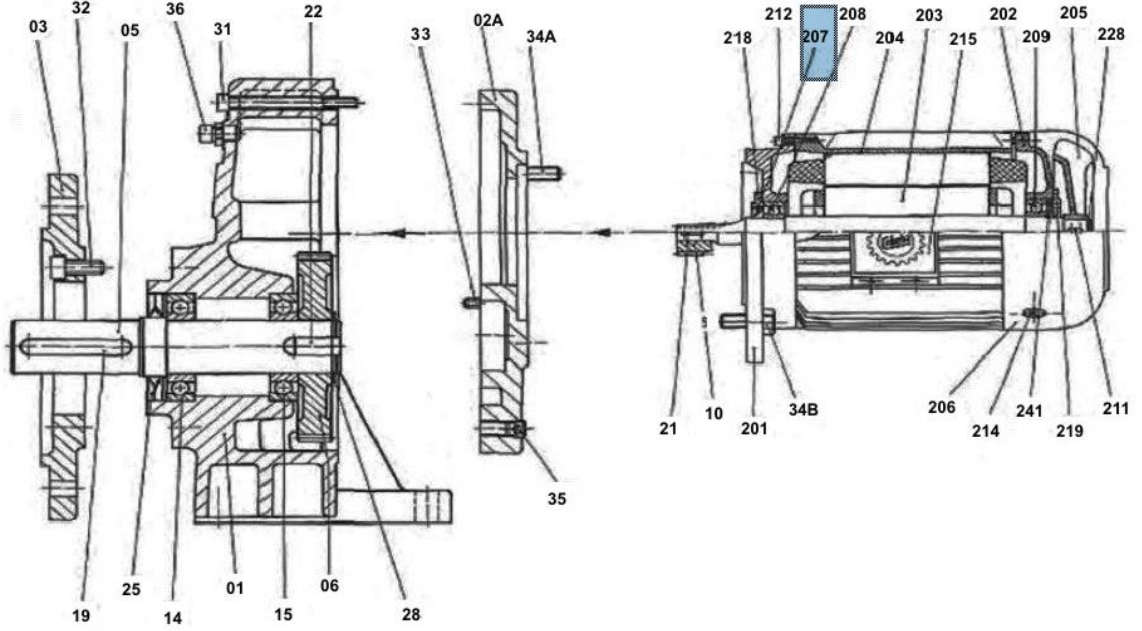


18-G29 (ITEM 87) EK BİLGİ / ADDITIONAL INFO

Malzemenin kullanıldığı cihazın seri numarası: 210087

The serial number of the device where the material is used: 210087

İÇİ NO	N.S.N.	PARÇA NUMARASI	ÜRETİCİ KODU	AÇIKLAYICI BİLGİLER	MİKTAR
	3010	001434	C3187	TAHRİK DONANIMI, KARIŞTIRMA VE DREYN TULUMBASI	1
01	3040123881428	CB1-100L/4DF IMV1-01B	C3187	KEYS, DİŞLİ DONANIMI	1
03	3040123881423	CB1-100L/4DF IMV1-03	C3187	FLENÇ, TULUMBA TARAFI	1
05	3020123881431	CB1-100L/4DF IMV1-05	C3187	TAHRİK ŞAFTI	1
06	3020123881432	CB1-100L/4DF IMV1-06	C3187	TAHRİK DİŞLİSİ	1
10	3020123881430	CB1-100L/4DF IMV1-10	C3187	PİNYON, TAHRİK	1
14	3110123880168	CB1-100L/4DF IMV1-14	C3187	YATAK, RULMAN, TULUMBA TARAFI	1
15	3110123880169	CB1-100L/4DF IMV1-15	C3187	YATAK, RULMAN, MOTOR TARAFI	1
19	5315123880298	CB1-100L/4DF IMV1-19	C3187	KAMA,TAHRİK ŞAFTI,TULUMBA TARAFI	1
21	5315123880300	CB1-100L/4DF IMV1-21	C3187	KAMA, MOTOR ŞAFTI	1
22	5315123880302	CB1-100L/4DF IMV1-22	C3187	KAMA,TAHRİK ŞAFTI,MOTOR TARAFI	1
25	5330123880488	CB1-100L/4DF IMV1-25	C3187	SİĞİL, ŞAFT	1
28	5325123880304	CB1-100L/4DF IMV1-28	C3187	SEGMAN, EMNİYET (LOCKING RING)	1
31	5305123880187	CB1-100L/4DF IMV1-31	C3187	CİVATA, ALYEN, DİŞLİ DONANIMI KEYSİ	1
32	5305123880186	CB1-100L/4DF IMV1-32	C3187	CİVATA, ALYEN, FLENÇ	1
33	5315123880306	CB1-100L/4DF IMV1-33	C3187	PİM, YERLEŞTİRME (CLAMPING SLEEVE)	1
35	5365123881085	CB1-100L/4DF IMV1-35	C3187	CİVATA, KİLİTLEME, DİŞLİ DONANIMI KEYS KAPAĞI	1
36	3040123881429	CB1-100L/4DF IMV1-36	C3187	TAPA, HAVA ALMA	1
02A	3040123881425	CB1-100L/4DF IMV1-02A	C3187	KAPAK, DİŞLİ DONANIMI, MOTOR TARAFI	1
201	3130123880171	CB1-100L/4DF IMV1-201	C3187	FLENÇ(ENDSHIELD),MOTOR DİŞLİ DONANIMI TARAFI	1
202	3130123880172	CB1-100L/4DF IMV1-202	C3187	FLENÇ(ENDSHIELD),MOTOR ARKA TARAFI	1
203	6105123880278	CB1-100L/4DF IMV1-203	C3187	ROTOR, ŞAFT İLE BİRLİKTE	1
204	6105123880279	CB1-100L/4DF IMV1-204	C3187	STATOR	1
205	4140123880177	CB1-100L/4DF IMV1-205	C3187	FAN	1
206	4140123880178	CB1-100L/4DF IMV1-206	C3187	KEYS, FAN	1
207	5330123880487	CB1-100L/4DF IMV1-207	C3187	SİĞİL, ŞAFT	1
208	3110123880181	CB1-100L/4DF IMV1-208	C3187	YATAK, RULMAN, DİŞLİ DONANIMI TARAFI	1

ATIK VE PİS SU ARITMA SİSTEMİ
TAHRİK DONANIMI,KARIŞTIRMA VE DREYN TULUMBASI

ATIK VE PİS SU ARITMA SİSTEMİ

5931121