

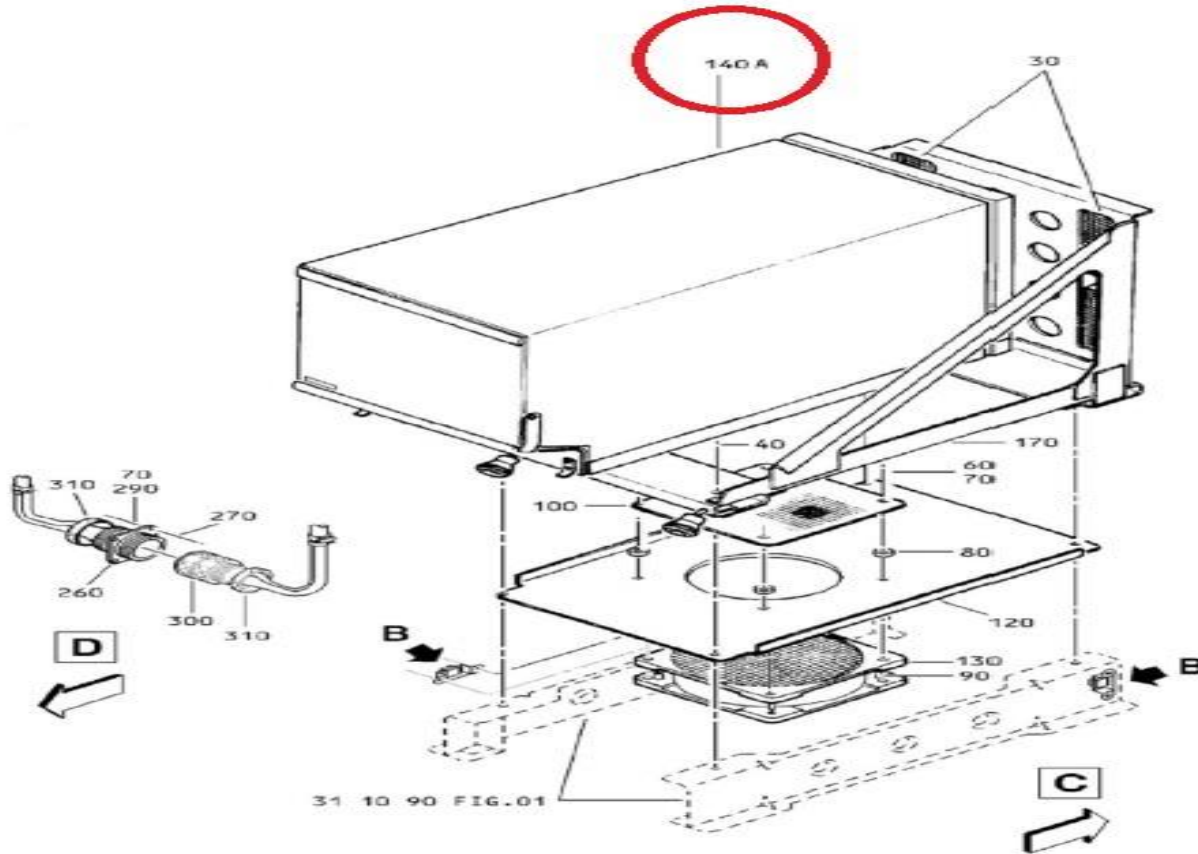
22H49-01



Pargu No: 622-8678-008
Stok No: 6610-01-494-1015
MFR Kodu: 4V792

Rockwell
Collins

THALES
CN235-100M MPA ILLUSTRATED PARTS CATALOG SUPPLEMENT



EFIS INSTL.-NOSE
(Sheet 2 of 2)

34-21-60

Fig. 01A
Pag. 0A
Mar. 01/15

PP 34 21 60 01A (2)/A

THALES

CN235-100M MPA ILLUSTRATED PARTS CATALOG SUPPLEMENT

FIG. ITEM	PART NUMBER	DESCRIPTION	EFFECT	QTY
		1234567 		
01A - 001		EFIS INSTL.-NOSE NP (COLLINS TYPE EFIS 85B (14))		RF
010A	622-8679-008	. MULTIFUNCTION PROCESSOR UNIT (4V792) TYPE:MPU85N		1
030	634-1020-001	. CONNECTOR KIT (REF.AC310369) (4V792) (FP26a, FP26b, FP28a,FP28b,FP28c, FP48a, FP48b)		7
040	NAS1101-08-8	. SCREW		12
050	622-6172-001	. MOUNT TYPE:UMT15 (4V792) (REF.AC310370) (FP28)		1
060	NAS1101-06-14	. SCREW		12
070	NAS1149DN616H	. WASHER		16
080	35-66207-0401	. SPACER		12
090	MS21042L06	. NUT		12
100A	35-66128-0401	. SHEEP		3
110	35-66207-0101	. PLATE		1
120	35-66207-0201	. PLATE		2
130	009-1965-030	. BLOWER (REF.AC310381) (4V792) * SEE: OPT-ALT CROSS REF. LIST (FP27,FP29,FP49)		3
140A	622-8678-008	. DISPLAY PROCESSOR UNIT (4V792) TYPE:DPU 85N		2
160	DELETED			
170	622-6171-001	. MOUNT TYPE:UMT14 (4V792) (REF.AC310367) (FP26,FP48)		2
180	NAS1101-08-6	. SCREW		4
190	NAS1149DN816H	. WASHER		4
200	MS21042L08	. NUT		4
210	00110720061	. STRAP (REF.CAN68247B) (F0394)		2
220	00111520102	. MODULE (REF.CAN68229B1) (F0394) * SEE: OPT-ALT CROSS REF. LIST		2
230	13038200198-1-15	. LABEL (REF.CAN68239-1-1) (F0394) * SEE: OPT-ALT CROSS REF. LIST		2
240	001104-200-02	. CONTACT (REF.CAN68186-20) (F0394) * SEE: OPT-ALT CROSS REF. LIST		18
250	MS27488-20	. SEAL PLUG		16
260	D38999/26WJ35SN	. CONNECTOR (FP7H)		1

- ITEM NOT ILLUSTRATED
MISSING ITEMS AND VARIANTS ARE NOT APPLICABLE

34-21-60

Fig. 01A
Pag. 1
Mar. 01/15