

26-M13 ITEM 30

STOK NO : 012718727

MALZEME ADI : CONTROL ASSEMBLY,UN

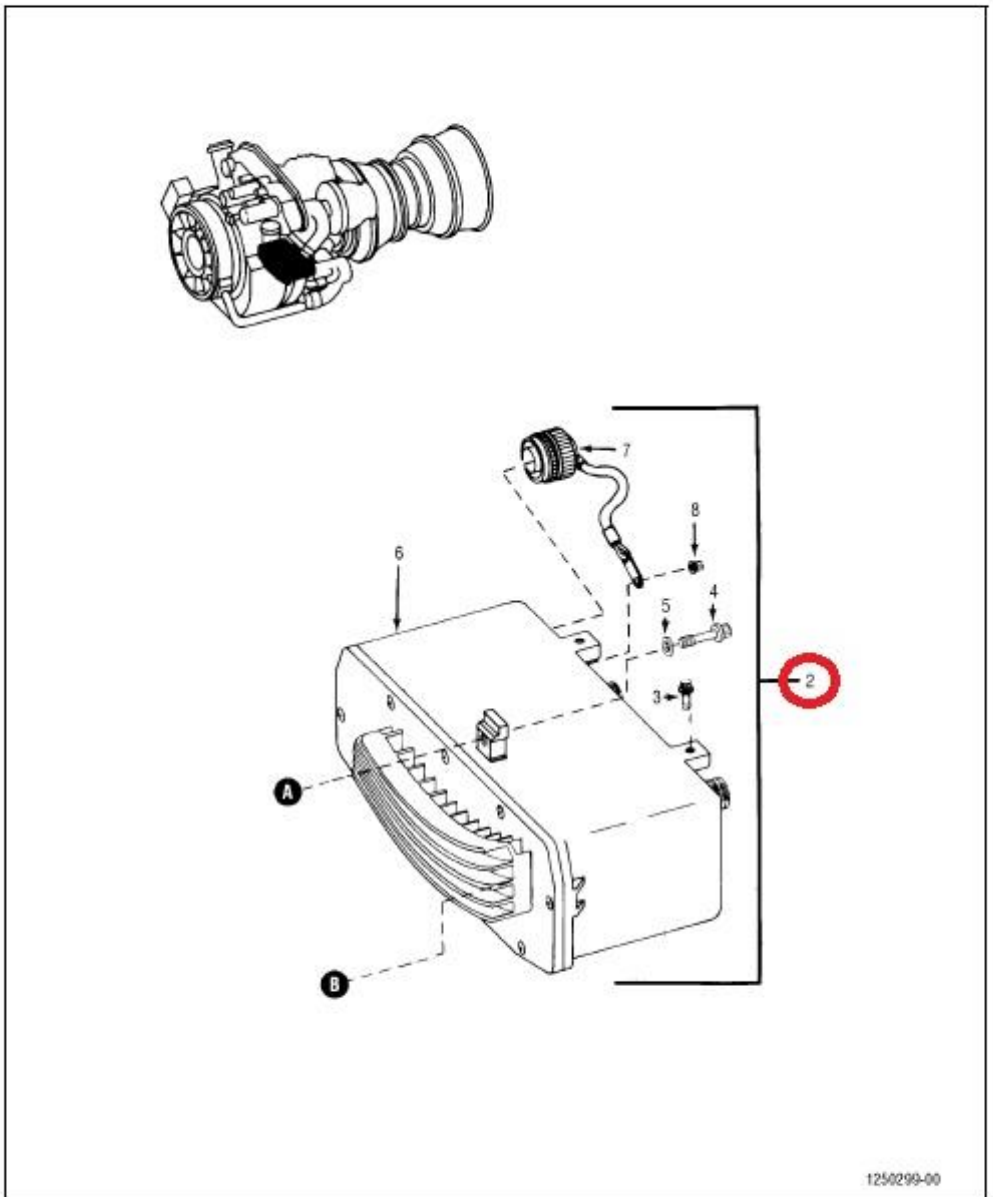
KULLANILDIĐI CİHAZ VE SİSTEM : AH-1W HELİKOPTERLERİNDE
KULLANILAN MALZEMEDİR.

A1-T700A-IPB-400

FIG 023 00

CHANGE 2 - 1 JUNE 2006

PAGE 5



1250299-00

A1-T700A-IPB-400

FIG 023 00

CHANGE 8 - 1 JUNE 2012

PAGE 11

INDEX NO.	PART NUMBER	DESCRIPTION	UNITS PER ASSY	USABLE ON CODE	SM&R CODE
		1234567			
	4076T61G08	CONTROL UNIT, ELECTRICAL/MODIFIED FROM 4076T61G05 PER PPC NO. 5/REPLACED BY	1	AC Q	PA000
	4088T56G03	4088T56G03 ON VH-60N ONLY PER PPC NO. 23/ CONTROL UNIT, ELECTRICAL/REPLACES 4076T61G06, 4076T61G05, 4076T61G07, 4076T61G08 ON VH-60N ONLY PER PCC NO. 23/	1	C Z	PA000
	4082T65G01	CONTROL UNIT, ELECTRICAL/REPLACED BY 4082T65G03/MODIFIED TO 4082T65G03 PER PPC NO. 5/BREAKDOWN, A1-776CA-MDB-300/	1	B R	PA000
	4082T65G02	CONTROL UNIT, ELECTRICAL/REPLACED BY 4082T65G04/MODIFIED TO 4082T65G04 PER PPC NO. 5/	1	B S	PA000
	4082T65G03	CONTROL UNIT, ELECTRICAL/REPLACES 4082T65G01/MODIFIED FROM 4082T65G01 PER PPC NO. 5/REPLACED BY 4147T45G02 PER ECP 700162 ON AH-12 ONLY/BREAKDOWN, A1-776C-MDB-300/	1	*B T	PA000
	4082T65G04	CONTROL UNIT, ELECTRICAL/REPLACES 4082T65G02/MODIFIED FROM 4082T65G02 PER PPC NO. 5/REPLACED BY 4147T45G02 PER ECP 700162 ON AH-12 ONLY/BREAKDOWN, A1-776CA-MDB-300/	1	B U	PA000
R	4147T45G02	CONTROL UNIT, DIGITAL ELECTRONIC/ REPLACES ECU 4082T65G03 AND 4082T65G04 ON AH-12 ONLY PER ECP 700162/BREAKDOWN, A1- T700A-DEC-000/ (ATTACHING PARTS)	1	B U	PA000
3	J643P06A	.BOLT, 12-POINT/07482/	2		PA02Z
4	3032T53P01	.BOLT, REDUCED SHANK CAPTIVE	1		PA02Z
5	AN960C416L	.WASHER, FLAT/88044/ ***	1		PA02Z
		NOTE FOR ELECTRICAL CONTROL BREAKDOWN REFER TO A1-776CA-MDB-300 OR A1-776CB-MDB-300.			
6	7052M63G04	.CONTROL, ELECTRICAL/REPLACED BY 7052M63G05/	1	K	XA000
	7052M63G05	.CONTROL, ELECTRICAL/REPLACES 7052M63G04/	1	LM	XA000
	7052M63G06	.CONTROL, ELECTRICAL	1	N	XA000
	7052M63G07	.CONTROL, ELECTRICAL	1	P	XA000
	7052M63G08	.CONTROL, ELECTRICAL	1	Q	XA000
	7130N70G01	.CONTROL, ELECTRICAL	1	R	XA000
	7130N70G02	.CONTROL, ELECTRICAL	1	S	XA000
	7130N70G03	.CONTROL, ELECTRICAL	1	T	XA000
	7130N70G04	.CONTROL, ELECTRICAL	1	U	XA000
	7116N94G04	.CONTROL, ELECTRICAL	1	C Z	XA000
R	4147T44P02	.CONTROL, DIGITAL	1	J	XA000

ECU/DEC, HISTORY RECORDER AND IGNITION SYSTEM/T700-GE-401