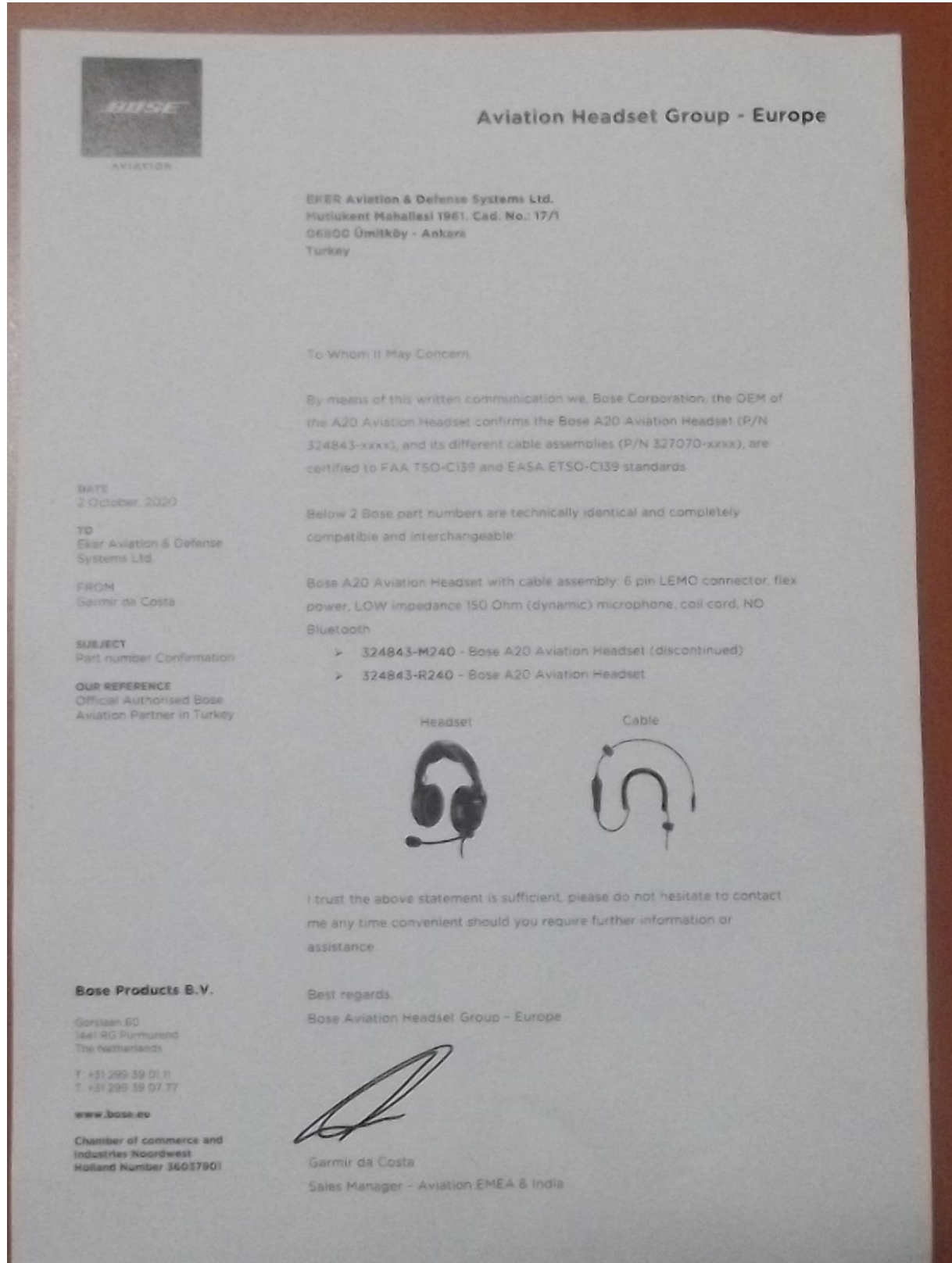


26-M13 ITEM 2-8-25

ITEM 2

STOK NO : 016714401

MALZEME ADI : HEADSET-MICROPHONE



ITEM 8

STOK NO : 00US80690

MALZEME ADI : MICROPHONE

TE TK31X1-2-3-200-8

BÖLÜM V

PARÇA KATALOĞU



| FIG.& IND. | PARÇA NO | TANIMLAMA | | | | | | | KULL . MİK. | KULL KODU | ÜRT. KODU |
|---------------|--------------------|-----------|---|---|---|---|---|---|----------------|--------------|--------------|
| | | 1 | 2 | 3 | 4 | 5 | 6 | 7 | | | |
| 5 | | | | | | | | | | | |
| -A | 324843-M240 | | | | | | | | 1 | - | H0Y09 |
| -B | 324843-W060 | | | | | | | | 1 | - | 32108 |
| -C | 324843-0010 | | | | | | | | 1 | - | 32108 |
| -1 | SXJD38999/26WB35SN | | | | | | | | 1 | A,C | 32108 |
| -2 | 00002934 | | | | | | | | 1 | A,C | 32108 |
| -3 | 327070-M240 | | | | | | | | 1 | A,C | 32108 |
| -4 | 327079-0010 | | | | | | | | 1 | A,B,C | 32108 |
| -5 | 289694-002 | | | | | | | | 2 | A,C | 32108 |
| -6 | 329761-0020 | | | | | | | | 1 | A,C | 32108 |
| -7 | 32175 | | | | | | | | 1 | A,B,C | 32108 |
| -8 | U-385/U | | | | | | | | 1 | B | 80058 |

Tablo-4: Resimli Parça Kataloğu

ITEM 25

STOK NO : 012241628

MALZEME ADI : MOTOR,ALTERNATING CURRENT

KULLANILDIĞI SİSTEM CİHAZ VE PLATFORM : SH70 HELİKOPTERİNİN ELK.SİS. KULLANILAN BLADE FOLD ACTUATOR ADLI MALZEMESİDİR.

A1-860QA-MDB-400

001 00

Page 39

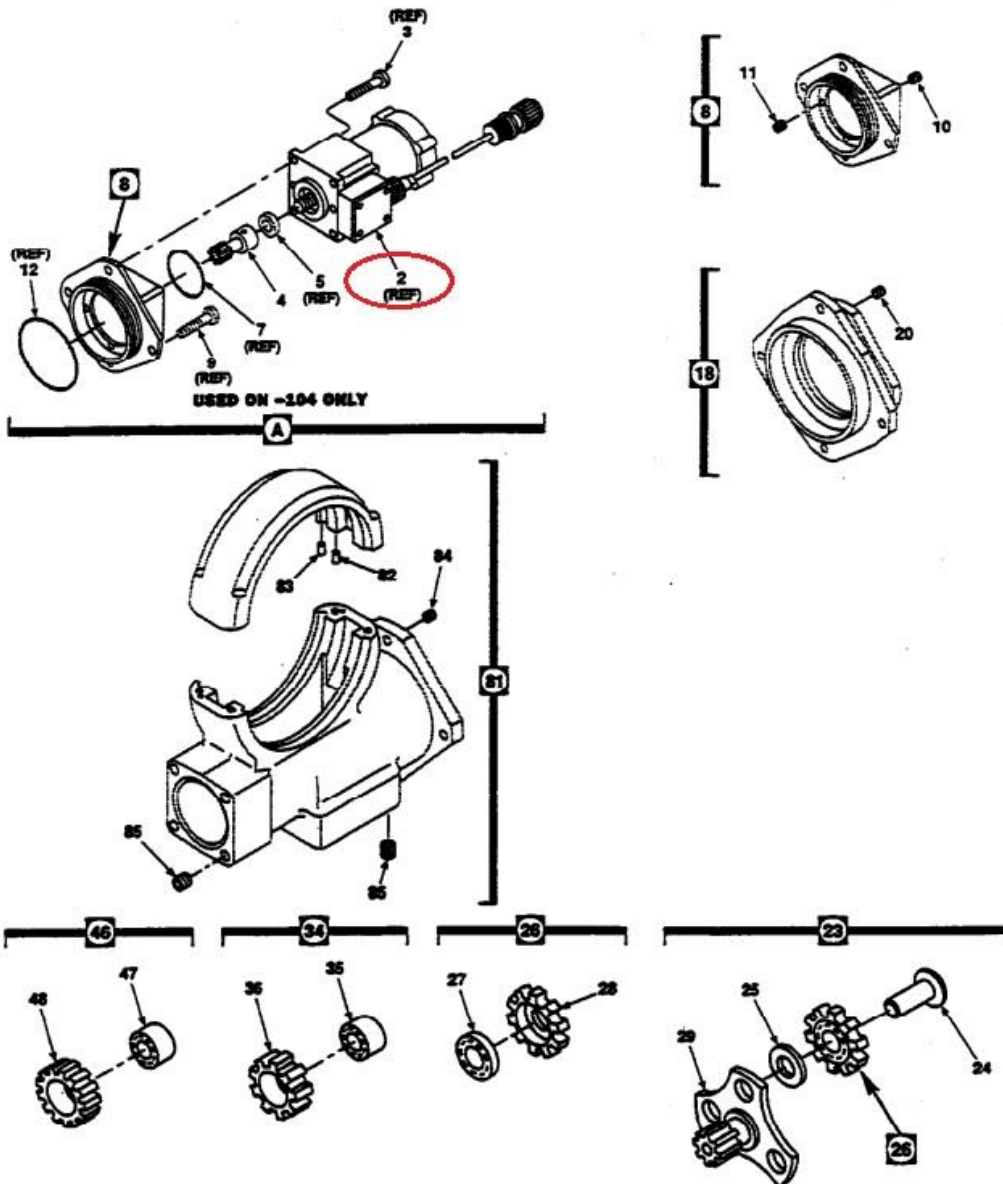


Figure 11. Main Rotor Blade Fold Actuator (Sheet 2)

HB2164_2

A1-860QA-MDB-400

001 00

Change 1 - 30 November 1995

Page 40

| FIGURE & INDEX NUMBER | PART NUMBER | 1 | 2 | 3 | 4 | 5 | 6 | 7 | DESCRIPTION | UNITS PER ASSY | USABLE ON CODE | SM&R CODE |
|-----------------------|-----------------|--|---|---|---|---|---|---|-------------|----------------|----------------|-----------|
| 11- | 70108-28900-103 | ACTUATOR, MAIN ROTOR BLADE FOLD /SIKORSKY SOURCE CONTROL DWG/ /81039 PART NO R1489-1/ | | | | | | | REF | A | PAODD | |
| | 70108-28900-104 | ACTUATOR, MAIN ROTOR BLADE FOLD /SIKORSKY SOURCE CONTROL DWG/ /81039 PART NO. R1489M1/ | | | | | | | REF | B | PAODD | |
| -1 | 4600301-20 | . PLATE, IDENTIFICATION /81039/ .. | | | | | | | 1 | A | MDDZZ | |
| | 4600301-22 | . PLATE, IDENTIFICATION /81039/ .. | | | | | | | 1 | B | MDDZZ | |
| -2 | E6420M45-1 | . MOTOR AND BRAKE ASSY, AC /81039/ /BREAKDOWN, FIG. 12/ | | | | | | | 1 | A | PADDD | |
| | E6420M45-2 | . MOTOR AND BRAKE ASSY, AC /81039/ /BREAKDOWN, FIG. 12/ | | | | | | | 1 | B | PADDD | |
| -3 | NAS1352-06-10P | . SCREW /AP/ | | | | | | | 4 | | PADZZ | |
| -4 | 5550138 | . SHAFT ASSY /81039/ | | | | | | | 1 | B | PADZZ | |
| -5 | E382M1 | . SHIM SET /CONSISTS OF 10 SHIMS/ /81039/ | | | | | | | AR | | PADZZ | |
| -6 | 3110479-50 | . SPACER, SLEEVE /81039/ | | | | | | | 1 | A | PADZZ | |
| -7 | MS9021-026 | . PACKING | | | | | | | 1 | | PADZZ | |
| -8 | 5052940 | . HOUSING, END /81039/ | | | | | | | 1 | A | PADDD | |
| | 5053035 | . HOUSING, END /81039/ | | | | | | | 1 | B | PADDD | |
| -9 | NAS1351-3-8P | . SCREW /AP/ | | | | | | | 4 | | PADZZ | |
| -10 | MS21209C0615 | . . INSERT | | | | | | | 4 | | PADZZ | |
| -11 | MS21209C0415 | . . INSERT /USED ON 5052940/ | | | | | | | 2 | | PADZZ | |
| -12 | MS9021-147 | . PACKING | | | | | | | 1 | | PADZZ | |
| -13 | 6022452 | . PLATE SUPPORT /81039/ | | | | | | | 1 | A | MDDZZ | |
| -14 | MS35026-214 | . SCREW /AP/ | | | | | | | 4 | A | PADZZ | |
| -15 | 5550122 | . SHAFT ASSY, /81039/ | | | | | | | 1 | A | PADZZ | |
| -16 | MS150454 | . BALL, STEEL /SUPERSEDED BY MS19059-2410/ | | | | | | | 1 | | PADZZ | |
| | MS19059-2410 | . BALL, STEEL /SUPERSEDES MS150454/ | | | | | | | 2 | * | PADZZ | |
| -17 | S812BM3LY-231 | . BEARING, BALL /40920/ /81039 SPECIFICATION CONTROL DRAWING 4134602-A1C1T/ | | | | | | | 1 | A | PADZZ | |
| -18 | 5051388 | . HOUSING, INTERMEDIATE /81039/ | | | | | | | 1 | | PADDD | |
| -19 | NAS1351-3-8P | . SCREW /AP/ | | | | | | | 4 | | PADZZ | |
| -20 | MS21209F1-15 | . . INSERT | | | | | | | 4 | | PADZZ | |
| -21 | 1070635 | . GEAR, INTERNAL RING /81039/ .. | | | | | | | 1 | | PADZZ | |
| -22 | MS9021-151 | . PACKING, PREFORMED | | | | | | | 1 | | PADZZ | |

Figure 11. Main Rotor Blade Fold Actuator (Sheet 3)