

DOSYA NO (FILE NUMBER) : 25-G88
SIRA NO (ITEM NUMBER) : 1
NIIN : 982062904
MALZEME ADI (MATERIAL NAME) : PROPELLING UNIT,OUT



Main Components

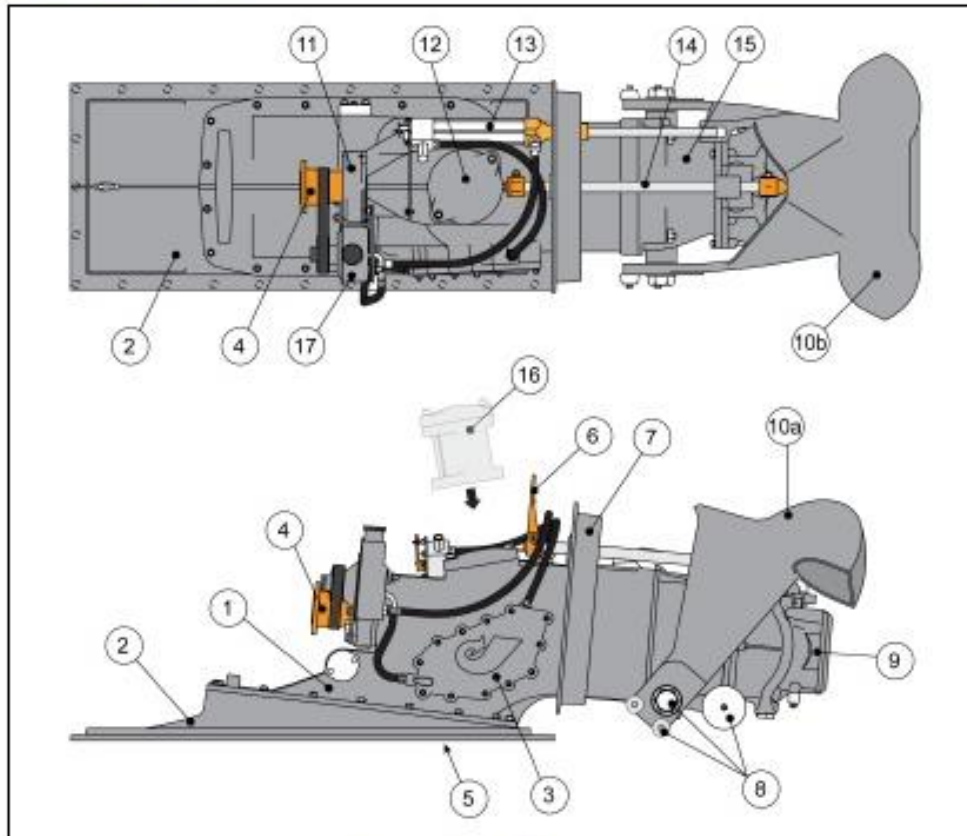


Figure 2: Jet Unit, Main Components

- | | | | |
|---|--------------------------------------|-----|--------------------------------------|
| 1 | Intake | 10a | Reverse duct (up) |
| 2 | Intake block | 10b | Reverse duct (down) |
| 3 | Oil cooler | 11 | Bearing housing |
| 4 | Coupling | 12 | Inspection hatch |
| 5 | Screen rake (hidden in intake block) | 13 | Reverse cylinder |
| 6 | Tiller | 14 | Steering shaft |
| 7 | Transom plate | 15 | Tailpipe |
| 8 | Anodes | 16 | Overflow preventer (hatch extension) |
| 9 | Steering nozzle | 17 | Hydraulic oil pump |

Copyright © 2015 C.W.F. Hamilton Ltd

All rights reserved. No part of this document may be reproduced, stored in a retrieval system or transmitted in any form or by any means; electronic, electrostatic, magnetic tape, mechanical, photocopying, recording or otherwise, without permission in writing from C.W.F. Hamilton & Co Ltd.

Due to our policy of continuous development, specifications in this document are subject to change without notice or obligation.

| | | |
|-------------|-----|----------|
| Jet Model | | HJ292 |
| Part number | | 089292 |
| Revision | R1 | 01/06/11 |
| Amendment | A21 | 16/09/15 |

Design Basics

HJ292 Product Manual

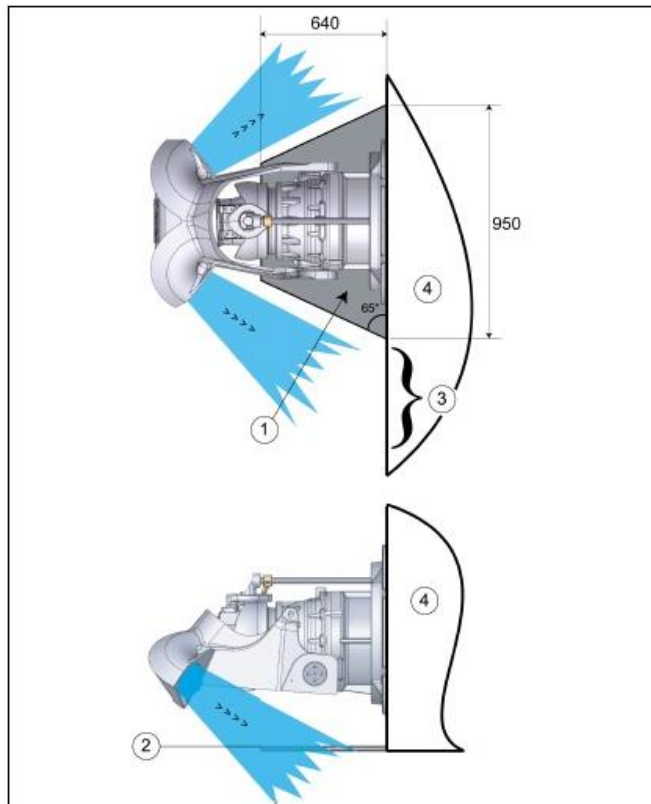


Figure 6: Allowable Trim Tab Location

- 1 Maximum size of trim tab
- 2 Upper level of trim tab
- 3 No trim tabs allowed in this area
- 4 Vessel

Warranty and Ownership Registration Form

To allow Hamilton Jet to complete its records and in order to assist any claim under the attached limited warranty, please complete this Warranty and Ownership Registration Form in full and return as soon as possible by post, facsimile or Email to:

- The Marketing Department, C.W.F. Hamilton & Co Ltd.
- PO Box 709, Christchurch,
- New Zealand.
- Fax, +64 3 348 6969
- Email, marketing@hamjet.co.nz

Hamilton Jet encourages the distributor to take responsibility for ensuring the purchaser and the distributor complete this form at the time of sale and return it to Hamilton Jet. Please complete one form per vessel only.

Jet Model

Serial Number(s)

Delivery Date

Commissioning / In service Date

Vessel/Project

Purchaser

Address

Contact Name

Signed

Distributor

Address

Contact Name

Signed

Office Use Only

Logged By

Project Code

Date