

26-M09 ITEM 3

STOK NO : 150150529

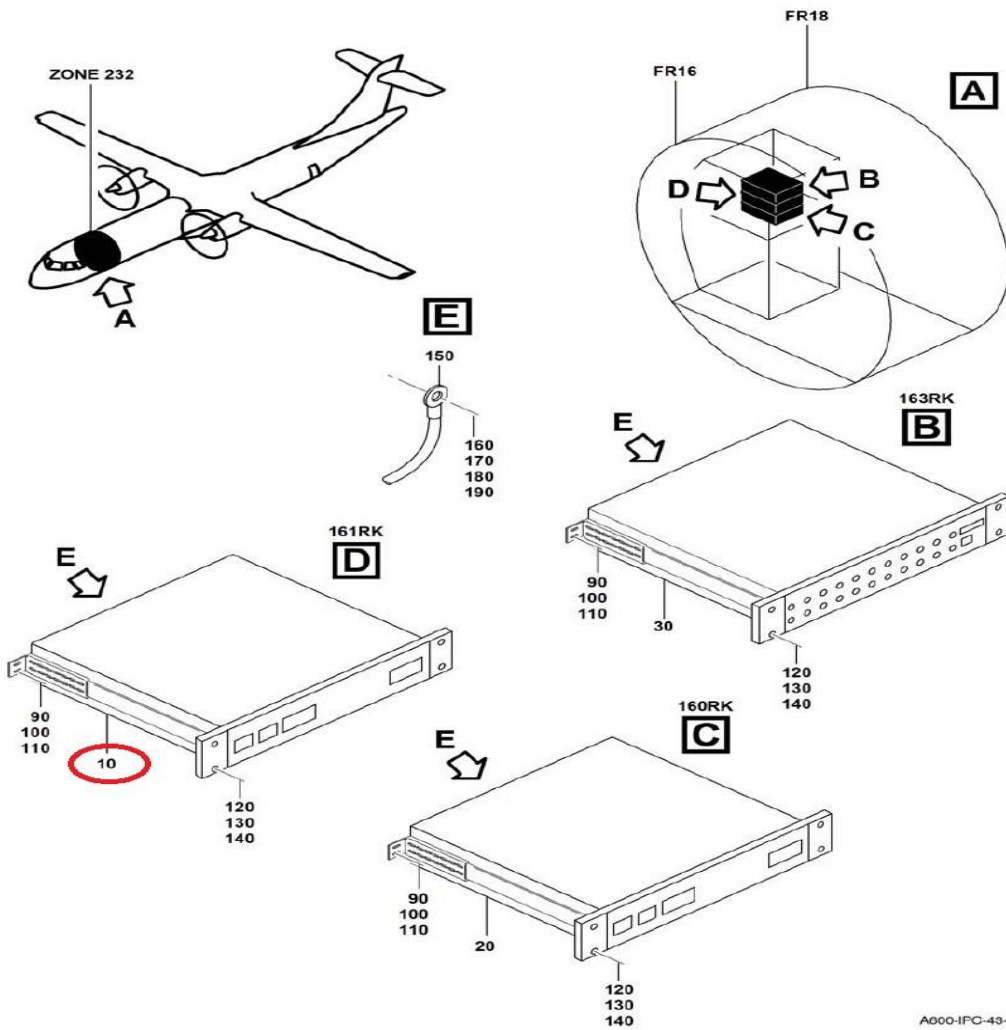
MALZEME ADI : DLP COMPUTER

KULLANILDIĞI SİSTEM CİHAZ BİLGİLERİ : ATR-72 HAVA ARACI MUHABERE SİSTEMİNDE KULLANILAN
DLP CİHAZIDIR.

UNCLASSIFIED



ATR72-TMPA - ILLUSTRATED PARTS CATALOG



EQUIPMENT INSTL, FR16-FR18, Z232
Figure 08

UNCLASSIFIED

43-64-02

Figure 08
Page 0
June 28/21

UNCLASSIFIED



ATR72-TMPA - ILLUSTRATED PARTS CATALOG

FIG.	ITEM	PART NUMBER NSN	DESCRIPTION 1 2 3 4 5 6 7	USAGE FROM TO	I C Y	UNIT PER NHA
08			EQUIPMENT INSTL, FR16-FR18, Z232			
-	001	13S92388703-000	ADDITIONAL RACK INSTL, FR16-FR18, Z232	01070 - 01070		REF
N	-	001	13S92388703-002	ADDITIONAL RACK INSTL, FR16-FR18, Z232	01070 - 01070	REF
N	-	001	13S92388703-004	ADDITIONAL RACK INSTL, FR16-FR18, Z232	01070 - 01070	REF
-	001	13S92388703-002	ADDITIONAL RACK INSTL, FR16-FR18, Z232	01274 - 01274 01302 - 01335		REF
N	-	001	13S92388703-004	ADDITIONAL RACK INSTL, FR16-FR18, Z232	01274 - 01274 01302 - 01335	REF
N	-	001	13S92388703-004	ADDITIONAL RACK INSTL, FR16-FR18, Z232	01365 - 01370	REF
	010	50-102-D-DLP-001 1680-15-015-0529	• DLP COMPUTER (160RK)	01070 - 01335		1
N	010	50-102-D-DLP-001 REV. 2.8	• DLP COMPUTER (160RK)	01070 - 01335		1
N	010	50-102-D-DLP-001 REV. 2.8	• DLP COMPUTER (160RK)	01365 - 01370		1
	020	50-102-DC2L16-001 1680-15-015-0530	• INTEGRATION COMPUTER, C2 & L16 (161RK)	01070 - 01335		1
N	020	50-102-DC2L16-001 REV. 2.8	• INTEGRATION COMPUTER, C2 & L16 (161RK)	01070 - 01335		1
N	020	50-102-DC2L16-001 REV. 2.8	• INTEGRATION COMPUTER, C2 & L16 (161RK)	01365 - 01370		1
	030	50-102-D-ES-001 1680-15-015-0515	• ETHERNET SWITCH (163RK)	01070 - 01335		1
N	030	50-102-D-ES-001 REV. 2.8	• ETHERNET SWITCH (163RK)	01070 - 01335		1
N	030	50-102-D-ES-001 REV. 2.8	• ETHERNET SWITCH (163RK)	01365 - 01370		1
-	040	97-4106A-14S-2S 5935-01-684-3701	• CONNECTOR (160RKA) (161RKA) (163RKA)			3

- ITEM NOT ILLUSTRATED

Figure 08
Page 1
Mar 01/24

UNCLASSIFIED



ATR72-TMPA - ILLUSTRATED PARTS CATALOG

S C K	SEARCH KEY CH-SE-SU-FIG-ITEM	MFRC	UNIT PER NHA	S C K	SEARCH KEY CH-SE-SU-FIG-ITEM	MFRC	UNIT PER NHA
F	5XUA 24-22-80 01-090	F6198	4	F	50DM 30-11-80 01-030	D8885	2
F	5XV 24-27-80 01-060	D8885	5	F	50DM 30-11-80 01-030	76374	2
F	5XV 24-27-80 01-060	76374	5	F	50DM 30-11-80 01-030	F5442	2
F	5XV 24-27-80 01-060	82647	5	F	50GB 32-11-50 10-025	08748	2
F	5XV 24-27-80 01-060	F0214	5	F	50HK 21-63-20 15C-010	F9111	2
F	5XV 24-27-80 01-060	F6198	5	F	50HKA 21-63-20 15C-020	F0225	2
F	5XV 24-27-80 01-060	FA0X2	5	F	50HKA 21-63-20 15C-020	F6162	2
F	5XX 24-42-80 01-010	F6198	2	F	50HKA 21-63-20 15C-020	K0316	2
F	5XX 24-42-80 01-010	F9111	2	F	50HKA 21-63-20 15C-020	F0286	2
P	50-102-D-DLP-001 43-64-02 08-010	13691	1	F	50HKA 21-63-20 15C-020	F1983	2
N P	50-102-D-DLP-001 R... 43-64-02 08-010	13691	1	F	50HKA 21-63-20 15C-020	F5442	2
N P	50-102-D-DLP-001 R... 43-64-02 08-010	13691	1	F	50HKA1 21-63-20 15C-030	F0225	2
P	50-102-D-ES-001 43-64-02 08-030	13691	1	F	50HKA1 21-63-20 15C-030	F1983	2
N P	50-102-D-ES-001 RE... 43-64-02 08-030	13691	1	F	50HKA1 21-63-20 15C-030	F6198	2
N P	50-102-D-ES-001 RE... 43-64-02 08-030	13691	1	F	50JH1B 71-51-60 14B-040	F5442	4
P	50-102-D-RC-001 43-64-02 07-010	13691	1	F	50JH2B 71-51-60 14B-040	F1983	4
N P	50-102-D-RC-001 RE... 43-64-02 07-010	13691	1	F	50KF 61-22-80 02A-015	F5442	2
N P	50-102-D-RC-001 RE... 43-64-02 07-010	13691	1	F	50KFA 61-22-80 02A-025	F5442	2
P	50-102-DC2L16-001 43-64-02 08-020	13691	1	F	50KFA1 61-22-80 02A-030	F0225	7
N P	50-102-DC2L16-001 ... 43-64-02 08-020	13691	1	F	50KFA1 61-22-80 02A-030	F5442	7
N P	50-102-DC2L16-001 ... 43-64-02 08-020	13691	1	F	50KH1 61-11-60 03-040	73030	1
F	50CG 27-32-80 02D-010	F0294	5	F	50KH1 61-11-60 03-040	73030	1
F	50CG 27-32-80 02D-010	F5442	5	F	50KH1 61-11-60 03-040	73030	1
F	50CGA, 27-32-80 02D-030	F4250	6	F	50KH1A 61-11-60 03-050	F0225	1
F	50CGA, 27-32-80 02D-030	F5442	6	F	50KH1A 61-11-60 03-050	49367	1
F	50CGA1 27-32-80 02D-060	F5442	9	F	50KH1A 61-11-60 03-050	F0286	1
F	50CGA1 27-32-80 02D-060	F0225	9	F	50KH1A 61-11-60 03-050	F6198	1
F	50DM 30-11-80 01-030	FA0X2	2	F	50KH1A1 61-11-60 03-060	F5442	2

NUMERICAL INDEX - NUMERIC

Page 316

Mar 01/24

UNCLASSIFIED