

26-M12-00 ITEM 1-16

ITEM 1

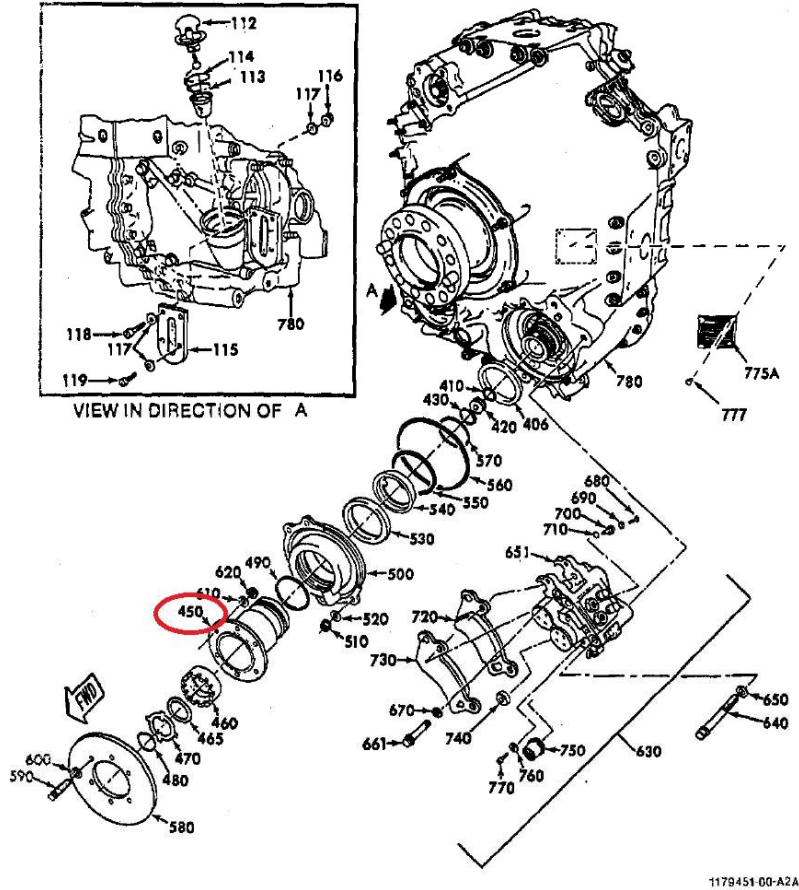
STOK NO : 013287273

MALZEME ADI : BUSHING,BOSS

KULLANILDIĐI SİSTEM CİHAZ VE PLATFORM: P-235 HAVA ARACI MOTOR PERVANE SİSTEMİ

ÜZERİNDE KULLANILAN MALZEMEDİR.

Illustrated Parts Catalog 72-10-00 FIG. 01 Rev. 36 Nov 15/11 SHEET 002





GE

Aviation

Illustrated Parts Catalog

72-10-00 GEARBOX-PROPELLER WITHOUT BRAKE

CT7-9

Rev. 36

FIG. 01 SHEET 002

FIG-ITEM	PART NUMBER	NOMENCLATURE	USAGE CODE	UNITS PER ASSY
		1234567		
01 330	MS24399J11	.REDUCER-PRECISION TYPE TUBE		1
340	M83248-1-908	.PACKING		1
-340A	J221P908	.PACKING-PREFORMED POST SB 72-321 REV 1		ALT
350	AN814-20DL	.PLUG AND BLEEDER		1
360	M83248-1-920	.PACKING		1
-360A	J221P920	.PACKING-PREFORMED POST SB 72-321 REV 1		ALT
R 370	782269-1	.COVER-FORWARD ATTACHING PARTS		1
R 380	AN960C416L	.WASHER-FLAT		4
R 390	NAS1291C4M	.NUT ***		4
R 400	M83248-1-252	.PACKING		1
R -400A	J221P252	.PACKING-PREFORMED POST SB 72-321 REV 1		ALT
-405	775760-2	.BEARING SET PARTIAL BREAKDOWN FOLLOWS SEE CMM SEI-663		RF
-405A	775760-3	.BEARING SET PARTIAL BREAKDOWN FOLLOWS POST SB 72-321 SEE CMM SEI-663		RF
-405B	775760-5	.BEARING SET PARTIAL BREAKDOWN FOLLOWS POST SB 72-355 SEE CMM SEI-663		RF
406	NO-NUMBER	.WASHER-THRUST	NP	RF
R 407	775772-1	.SPACER-BEARING		1
R 410	M83248-1-118	.PACKING SEE 72-10-00-01A FOR DET		RF
R -410A	J221P118	.PACKING-PREFORMED SEE 72-10-00-01A FOR DET		RF
R 420	775767-1	.CAP-SEAL SEE 72-10-00-01A FOR DET		RF
R 430	69983S112	.RING-INTERNAL RETAINING SEE 72-10-00-01A FOR DET		RF
R 450	775773-1	.DRIVE-BRAKE DISK SEE 72-10-00-01A FOR DET ATTACHING PARTS		RF
R 460	775770-1	.NUT-RETAINING SEE 72-10-00-01A FOR DET		RF
R 465	732200-2	.SHIM SEE 72-10-00-01A FOR DET		RF

GE PROPRIETARY INFORMATION - Not to be used, disclosed to others or reproduced without the express written consent of GE. Technical data is considered ITAR and/or EAR controlled; transfer of this data to a Non-US Person, without USG authorization, is strictly prohibited.

Printed
Oct 26/15

ITEM 16

STOK NO : 014926477

MALZEME ADI : CAP,DUST,PROPELLER

KULLANILDIĐI SİSTEM CİHAZ VE PLATFORM: DENİZ HAVA KOMUTANLIĐI ENVANTERİNDE BULUNAN UÇAKLARIN MOTOR PERVANE SİSTEMLERİNİN BAKIM/ONARIMDA KULLANILACAKTIR.



ILLUSTRATED TOOL AND EQUIPMENT MANUAL



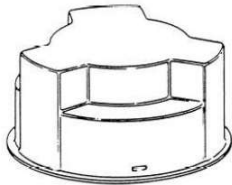
ILLUSTRATED TOOL AND EQUIPMENT MANUAL

TOOL TITLE Blade Butt Cap
TOOL P/N GS23447-1

Description..... Used to protect the blade butt after blade removal.
Weight.....
Dimensions.....

FIGURE ITEM No.	PART NUMBER	NOMENCLATURE	EFF.	UNITS PER ASSY
--------------------	-------------	--------------	------	----------------------

NO NOMENCLATURE FOR THIS TOOL



EFFECTIVITY: ALL
USED ON: CMM/
FSCM(VENDOR'S CODE): 73030

N

N

61-11-64

Page 3-1
Oct2018